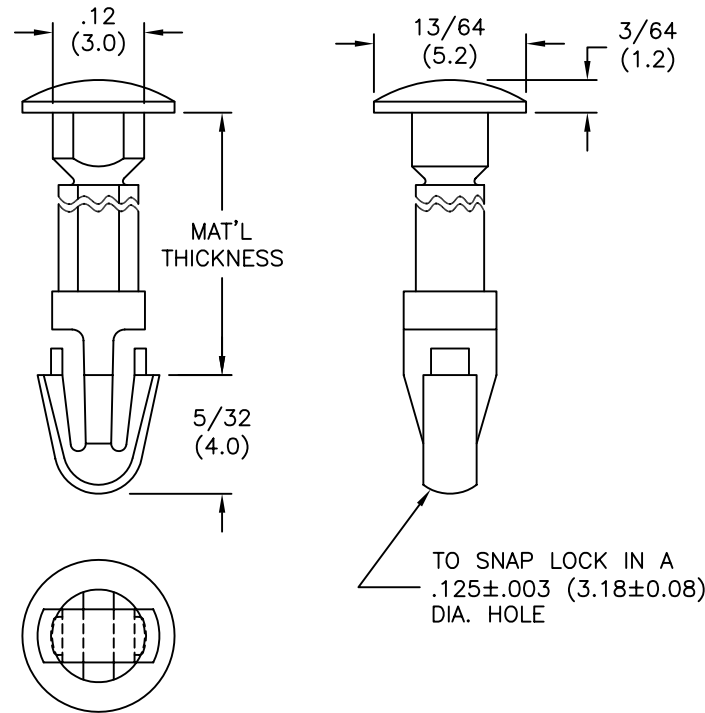


PART NO.	MAT'L THK'NESS MAXIMUM
SLPA125-187-01	.187 (4.7)
SLPA125-250-01	.250 (6.4)
SLPA125-312-01	.312 (7.9)
SLPA125-375-01	.375 (9.5)
SLPA125-500-01	.500 (12.7)
SLPA125-625-01	.625 (15.9)
SLPA125-750-01	.750 (19.1)



NOTE:

- MAT'L: NYLON 6/6 (RMS-01).
FLAME RETARDANT, NYLON (RMS-19),
AVAILABLE BY SPECIAL ORDER ONLY.
- COLOR: NATURAL.

REV	DESCRIPTION	ENGR	DATE
B	ADDED NYLON 6/6; CHANGED FILE NO.	SM	02.21.02
A	MAT'L RMS-19 ADDED	J.L.	8.13.99

TITLE: SNAP LOCK PIN WITH ARROWHEAD				DWG IN IN (MM)	FINAL	PRINT TYPE
TOLERANCES UNLESS NOTED .XX=±.020 .XXX=±.015 FRAC=±1/64 ANG=±1°	FILE # SLPA125	DWN: J.B.	APP:	PART # SEE TABLE	CA	
MAT'L: SEE NOTES	RE: RICHCO, INC.	DT: 12-05-95	DT:			
RICHCO INC. PO BOX 804238, CHICAGO, 60680 (773) 539-4060						